

# MERIDIAN®

## A.I. Health Assistant

Meridian's world class hardware solutions teamed up with PRSONAS™ technology to create a world class A.I. avatar assistant designed to interact with patients and visitors helping with wayfinding and information in real time as a two way conversation. Also available in a variety of language and accent preferences as well as phsyical animations designed to offer the best user experience possible .



### AVAILABLE COMPONENTS:

- HD Camera
- Proximity sensor
- Wayfinding capabilities
- WiFi or Cellular Connectivity
- Conversational & Interactive A.I.
- Multiple languages: English, ASL, Spanish, Japanese, & more
- Durable 14 Gauge Aluminium Enclosure
- High Quality Powder Coat Finish
- Locked Rear Access Panel

### AVAILABLE SCREEN SIZES: 43" & 55"

Both landscape and portrait orientation available



*Delivering American Made  
Self Service Solutions Since 1999*

## POWDER COAT COLOR OPTIONS:



Custom Pantone Matching Available  
Full Color Lexan Laminated Graphics Available



## POWER:

- 120 Volt, 20 AMP Circuit, 50/60 Hz
- Internal Power Strip with Surge Protection
- International Power Conversion Available

## DIMENSIONS: (55" UNIT)

*\*Dimensions and drawing for other screen sizes available upon request  
Landscape and portrait orientation available*

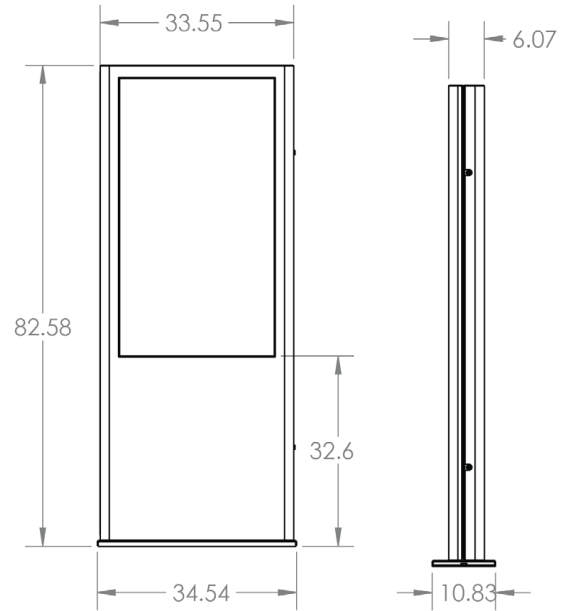
Height: 82.5"

Depth: 6"

Base Plate: 34.5" x 10.8"

Width: 33.5"

Weight: ~ 450 lb



## STANDARD CONSTRUCTION:

- Durable 14 Gauge Aluminium Enclosure
- High Quality Powder Coat
- Standard Security Locks
- ADA Compliant

For More Information

[SALES@MZERO.COM](mailto:SALES@MZERO.COM) | 866 454 6757

 Delivering American Made  
Self Service Solutions Since 1999



Meridian is a complete end-to-end self-service innovator, all of our products are designed and built in house, OEM solutions are available upon request.

## QUALITY + CERTIFICATION

Meridian promises a level of quality that goes beyond the expected. We control every step of our process from concept to completion, overseeing quality, design, cost and timelines. Many of our products can be UL Listed through UL self-certify and our processes are ISO 9001:2015 certified. We are also SOC2 compliant.